



INVOLUX
FURNITURE FOR OFFICE

Furniture assembly diagram
JSC "Involux"
Gorodskaya str., 72
225001, Brest
Republic of Belarus

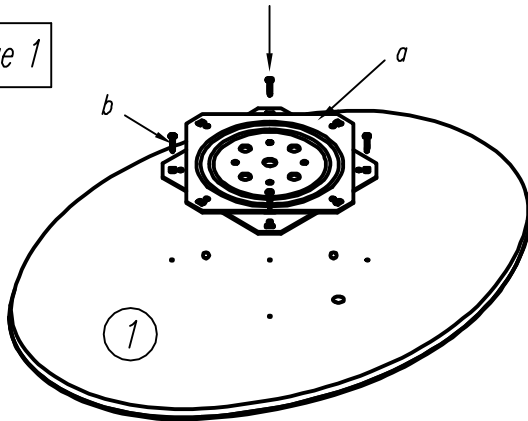
Trade representation:
Minsk, tel. (+375-17) 293-37-80,
293-37-81, fax 266-21-36
e-mail: sale@involux.com
http:// www.involux.com



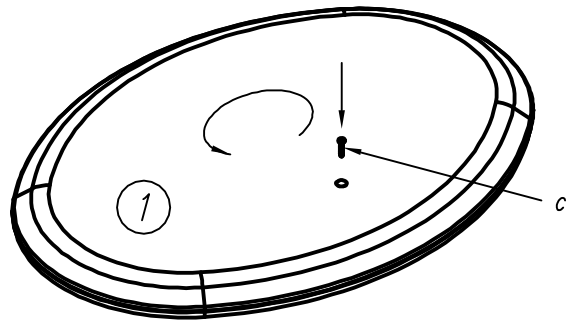
Turning rack
20P010, 20P020

YCAP.324719.003 IC

Stage 1



Stage 2



Delivery list for articles

N° (ref.)	Components	Q-ty	
		20P010	20P020
1	Horizontal wall	1	1

N°	Fittings
a	Rotary mechanism 03*X-0019
b	Wood screw r4x20
c	Wood screw r4x30

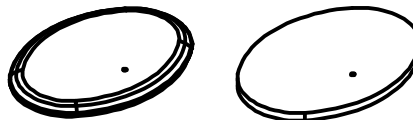
While turning the horizontal wall 1 screw rotary mechanism tight to the seating side of the turning rack with wood screws "c" put through holes in horizontal wall 1.



INVOLUX
FURNITURE FOR OFFICE

Furniture assembly diagram
JSC "Involux"
Gorodskaya str., 72
225001, Brest
Republic of Belarus

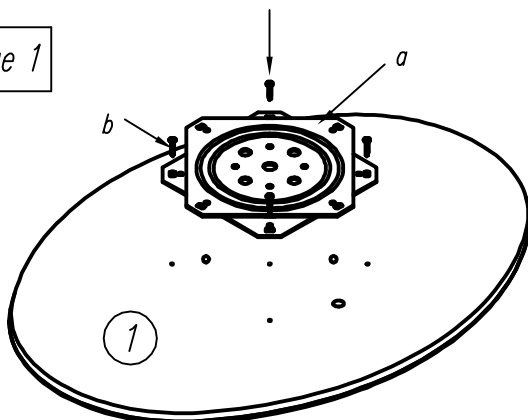
Trade representation:
Minsk, tel. (+375-17) 293-37-80,
293-37-81, fax 266-21-36
e-mail: sale@involux.com
http:// www.involux.com



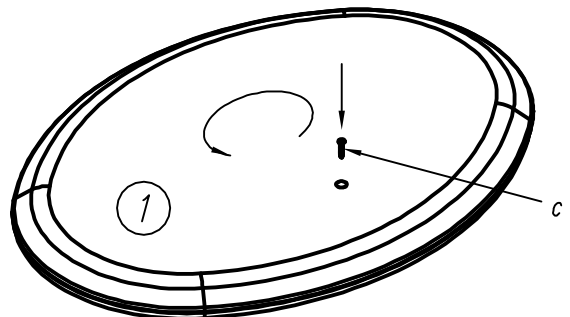
Turning rack
20P010, 20P020

YCAP.324719.003 IC

Stage 1



Stage 2



Delivery list for articles

N° (ref.)	Components	Q-ty	
		20P010	20P020
1	Horizontal wall	1	1

N°	Fittings
a	Rotary mechanism 03*X-0019
b	Wood screw r4x20
c	Wood screw r4x30

While turning the horizontal wall 1 screw rotary mechanism tight to the seating side of the turning rack with wood screws "c" put through holes in horizontal wall 1.